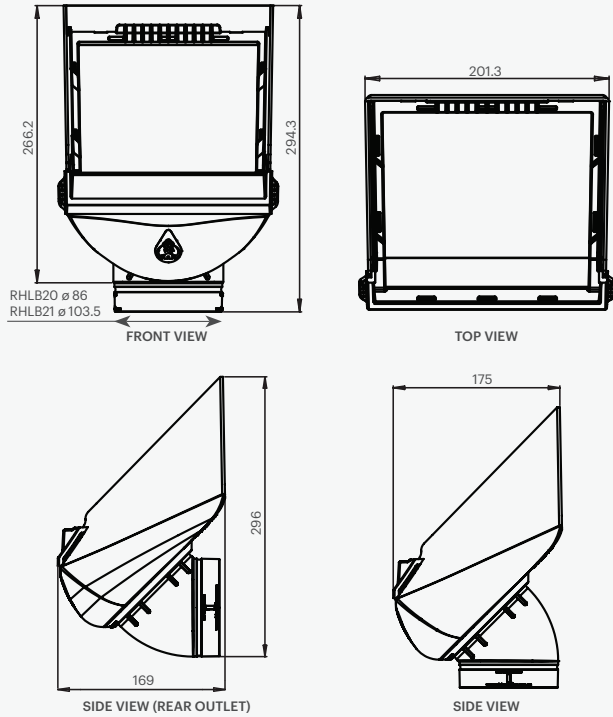


PRODUCT DIMENSIONS

RHLB20 / RHLB21



ALL DIMENSIONS IN MM UNLESS OTHERWISE STATED.

Pipe Fitment

RHLB20	ø 86mm	Fits inside 90mm pipe
RHLB21	ø103.5mm	Fits inside 100mm pipe

DISCLAIMER This product specification is not a complete guide to product usage. Product specifications may change without notice. For more information visit rainharvesting.com.au. Keep this manual handy for future reference. © Rain Harvesting Pty Ltd.

COMPLIANCE

- AS/NZS 3500.3:2003 Plumbing and Drainage – Stormwater Drainage
- enHealth Council – Guidance on the Use of Rainwater Tanks – Preventing Mosquitoes Breeding
- HB230:2008 Rainwater Tank Design and Installation Handbook
- Queensland Health Regulations 1996 (Part 8 – Mosquito Prevention)

RAIN HARVESTING

by Blue Mountain Co

+61 (0)7 3248 9600

rainharvesting.com.au

RAIN HARVESTING
by Blue Mountain Co

Leaf Beater



Installation and Specification Guide

PRODUCT DETAILS

A mid-size rain head for tighter spaces that can be fitted to horizontal and vertical downpipes.

RHLB20 90mm
RHLB21 100mm

FEATURES AND BENEFITS

- Patented single screen technology for advanced debris shedding (Clean Shield™)
- Filter leaves and debris before they enter your downpipes.
- Enhanced catchment efficiency – collect more rainwater.
- A single mosquito proof stainless steel mesh screen with 0.955mm aperture.
- Pivot the outlet to suit vertical or horizontal (rear outlet) downpipes - variety of installation options in one product.

Installation

WHAT'S IN THE BOX?

- Leaf Beater

TOOLS/MATERIALS YOU MAY REQUIRE

- Tape measure
- Marker pen
- Saw
- Screws or rivets
- Screwdriver or drill
- Solvent cement glue

NOTE 1: Ensure a suitable gap 20mm-50mm is placed between the open end of your downpipe and screen of your rain head, to allow debris to escape the flow of water. This can vary depending on the type/size of leaf matter and debris you experience in your gutter.

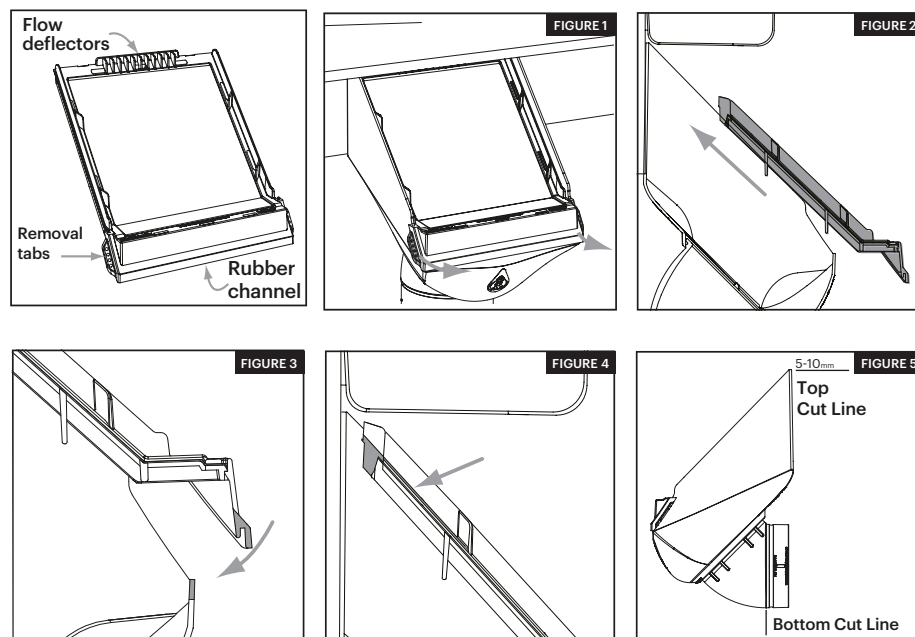
GUTTER, EAVE & "MID" MOUNT (VERTICAL)

1. Locate the position at which you will be installing your Leaf Beater rain head. Whether this is directly under your gutter or eave or midway down your downpipe, it should be a minimum of 500mm above your tank inlet and tank overflow pipe.
2. For installation on a vertical downpipe directly under your gutter, measure 255mm from the bottom of the existing gutter pop and remove this section of downpipe. For installation under your eaves or midway down your downpipe, remove a 255mm section of pipe at your desired installation point. Ensure all cut edges are clean and smooth.
3. Remove the Clean Shield™ screen by lifting it up and then out (FIGURE 1).
4. Insert your Leaf Beater by sliding it up over the cut section of pipe and then down into position. The outlet should be slid firmly into the bottom downpipe until it can be pushed no further.
5. Fasten your rain head body to the fascia or wall with two rivets or screws through the back of the body.
6. Reinsert the Clean Shield™ screen into your rain head at approximately 45 degrees (FIGURE 2) until the front rubber channel is nearly over the front lip of the body. If necessary, wet the rubber seal to help the screen slide into place.
7. Fix the front of the Clean Shield™ screen into place by sliding the rubber channel over the front lip of the body (FIGURE 3). Reaching towards the back of the screen, push down on the plastic frame so that the rear edge comes to rest on the body of the rain head (FIGURE 4).
8. If desired, you can paint your rain head to match your downpipes and/or building.

GUTTER MOUNT (HORIZONTAL)

1. Locate the position at which you will be installing your Leaf Beater rain head. Whether this is directly under your gutter or eave or midway down your downpipe, it should be a minimum of 500mm above your tank inlet and tank overflow pipe.
2. Remove the Clean Shield™ screen by lifting it up and then out (FIGURE 1).

3. Swivel the outlet to the horizontal position. Some force may be required.
4. Position your Leaf Beater next to your existing pipework and use it as a template to mark top and bottom cutting lines (FIGURE 5). Cut. Ensure all cut edges are clean and smooth.
5. Insert your Leaf Beater and use solvent cement to glue the rear outlet into the horizontal pipe. The rear wall of your rain head's body must sit behind the top section of downpipe or gutter pop.
6. Fasten your Leaf Beater to the fascia or wall with two rivets or screws through the back of its body.
7. Reinsert the Clean Shield™ screen into your rain head at approximately 45 degrees (FIGURE 2) until the front rubber channel is nearly over the front lip of the body. If necessary, wet the rubber seal to help the screen slide into place.
8. Fix the front of the Clean Shield™ screen into place by sliding the rubber channel over the front lip of the body (FIGURE 3). Reaching towards the back of the screen, push down on the plastic frame so that the rear edge comes to rest on the body of the rain head (FIGURE 4).
9. If desired, you can paint your rain head to match your downpipes and/or building.



MAINTENANCE

To reduce your maintenance burden, your rain head's Clean Shield™ screen is mostly self-cleaning. If cleaning is required, simply remove the Clean Shield™ screen using the quick release tabs and hose or brush it off before reinserting into your rain head.